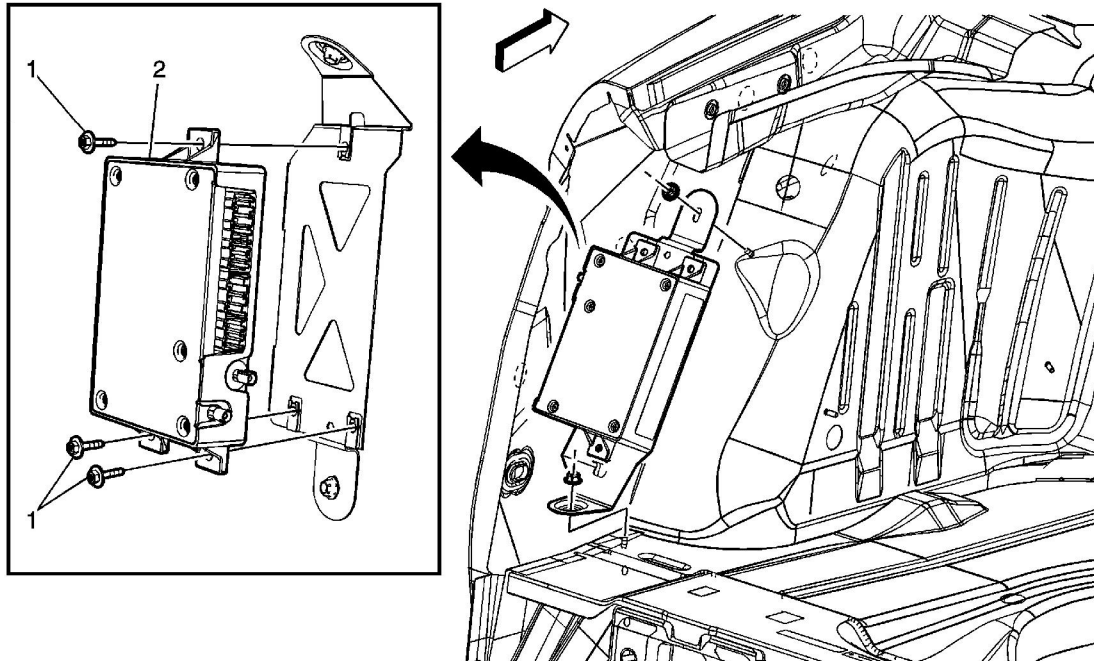


## Communication Interface Module Replacement



Callout	Component Name
<p><b>Preliminary Procedures</b></p> <ol style="list-style-type: none"> <li>1. Disconnect the negative battery cable. Refer to <a href="#">Battery Negative Cable Disconnection and Connection</a> .</li> <li>2. Pull back the left rear compartment trim panel in order to expose the communication interface module.</li> <li>3. For programming and set up, Refer to <a href="#">Control Module References</a> .</li> </ol>	
<p>1</p>	<p>Communication Interface Bolt/Screw (Qty: 3)</p> <p><b>Notice:</b> Refer to <a href="#">Fastener Notice</a> in the Preface section.</p> <p><b>Tip</b></p> <ul style="list-style-type: none"> <li>• The vehicle communication interface module (VCIM) has a specific set of unique numbers that tie the module to each vehicle. These numbers, the 10-digit station identification and the 11-digit electronic serial number, are used by the National Cellular Network and OnStar® to identify the specific vehicle. Because these numbers are tied to the vehicle identification number of the vehicle, you must never exchange these parts with those of another vehicle.</li> <li>• After replacing the vehicle communication interface module, you must reconfigure the OnStar® system. Failure to reconfigure the system will result</li> </ul> <p>© 2012 General Motors Corporation. All rights reserved.</p>

	<p>in an additional customer visit for repair. In addition, pressing and holding the white dot button on the keypad will NOT reset this version of the OnStar® system. This action will cause a DTC to set.</p> <p><b>Tighten</b> 5 N·m (44 lb in)</p>
2	<p>Communication Interface Module</p> <p><b>Procedure</b></p> <p>For programming and set up information, refer to <a href="#">Control Module References</a> .</p>